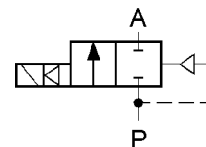


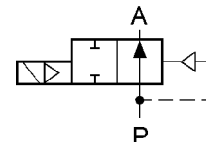
### Closed when de-energised (NC)

Ports	Orifice size [mm]	Kv value (water at 1 bar) [l/min]	Differential pressure [bar]		Valve body	Mass [kg]	Coil type	Model	Order code 230VAC NBR seal	Fig.
			Min	Max AC*						
G1/2	10	20	0.3	10	Ms	0.34	TM25	M2401	<b>341607</b>	1
	10	20	0.3	12	Ms	0.42	TM30	M24K	<b>340546</b>	2
	10	20	0.3	12	Ms	0.42	TM30	M24KN	<b>386215</b>	3
G3/8	10	20	0.3	12	Ms	0.43	TM30	M24K	<b>341505</b>	2
G3/4-Ø20	18	90	0.3	10	PA	0.46	TM25	M255C	<b>352612</b>	4
G3/4	18	90	0.3	10	PA	0.46	TM25	M255	<b>352611</b>	4
	18	90	0.3	10	Ms/PA	0.46	TM25	M254	<b>350619</b>	5
	18	90	0.3	12	Ms	0.57	TM25	M251	<b>350613</b>	5
	18	90	0.3	16	Ms	0.66	TM30	M250	<b>350510</b>	5
G1	25	180	0.3	12	Ms	1.1	TM25	M261	<b>360613</b>	6
	25	180	0.3	12	Ms	1.2	TM30	M260	<b>360518</b>	6
	25	180	0.3	16	Ms	1.2	TM30	M260	<b>360513</b>	6
G6/4	40	350	0.3	12	Ms	2.3	TM25	M271	<b>370610</b>	7
	40	350	0.3	12	Ms	2.4	TM30	M270	<b>370511</b>	7
	40	350	0.3	16	Ms	2.53	TM30	M270	<b>370512</b>	7
	40	350	0.3	16	Ms	2.53	TM30	M270R**	<b>370510</b>	7
G2	50	630	0.5	16	Ms	4.5	TM30	M286	<b>390510</b>	8



### Open when de-energised (NO)

G1/2	10	20	0.3	10	Ms	0.34	TM25	M24NO	<b>349600</b>	1
	10	20	0.3	12	Ms	0.42	TM30	M24KNO	<b>349516</b>	2
G3/8	10	20	0.3	12	Ms	0.42	TM30	M24KNO	<b>349518</b>	2
G3/4	18	90	0.3	12	Ms	0.66	TM30	M250NO	<b>359511</b>	5
G1	25	180	0.3	16	Ms	1.2	TM30	M260NO	<b>369512</b>	6
G6/4	40	350	0.3	16	Ms	2.4	TM30	M270NO	<b>379512</b>	7
G2	50	630	0.5	16	Ms	4.5	TM30	M286NO	<b>391510</b>	8



### With latching coil

Ports	Orifice size [mm]	Kv value (water at 1 bar) [l/min]	Differential pressure [bar]		Valve body	Mass [kg]	Coil type	Model	Voltage	Order code NBR seal	Fig.
			Min	Max DC							
G1/2	10	20	0.3	8	Ms	0.34	TM25B	M240B	6VDC	<b>340699</b>	1
	10	20	0.3	8	Ms	0.34	TM25B	M240B	9VDC	<b>340698</b>	1

\*Pressure is lower when DC coil is used!

\*\*With adjustable shut-off speed

### ORDERING:

Please state order code, seal and voltage (e.g.: 341607 EPDM 24VAC) or consult our staff.

For easier valve choice use QUESTIONNAIRE on page 36.

### OPTIONS:

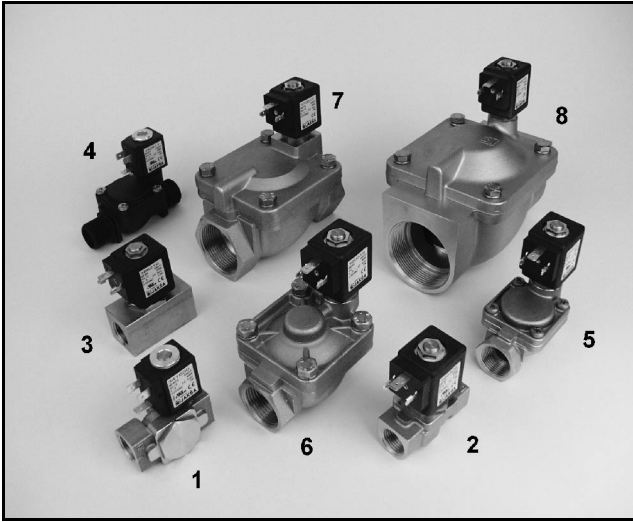
- EEx me II explosionproof coils
- stainless steel valve body
- NPT ports

Other versions on request.

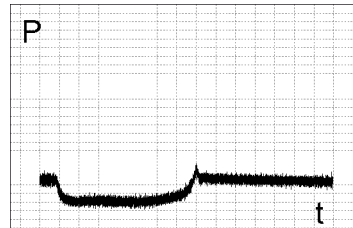
Specifications are subject to change without notice.

**TECHNICAL DATA:**

Internal parts: stainless steel  
 Seals: NBR, EPDM, FPM, PTFE  
 Fluid temperature: -10°C to +85°C (NBR)  
 -10°C to +100°C (EPDM, FPM)  
 Ambient temperature: max +55°C  
 Viscosity: max 21 mm<sup>2</sup>/s  
 Response times: opening 0.05 to 1 s / closing 0.5 to 4 s  
 Voltages: 230, 115, 48, 24 V 50/60 Hz  
 24, 12 V DC  
 Power consumption: see chapter »Coils«  
 Duty cycle: continuous (ED100%)  
 Cycling rate: 10 to 100 cpm  
 Electrical protection: IP65 (with plug to DIN 43650)



Ordinary diaphragm valve shut-off diagram – **EXCESSIVE WATERHAMMER**



JAKŠA diaphragm valve shut-off diagram – **NO WATERHAMMER**

**Dimensions [mm]:**

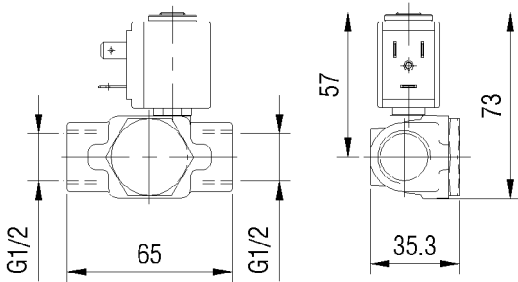


Fig. 1

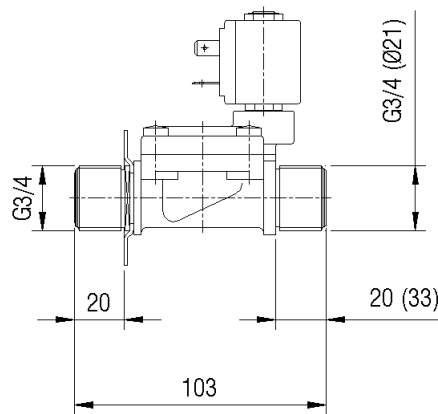


Fig. 4

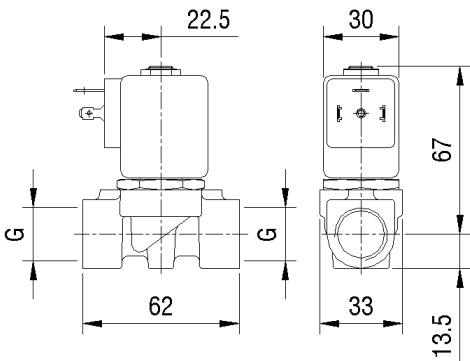


Fig. 2 + 3

Fig.	A	B	C
5	78	50	78 / 87
6	95	70	84 / 92
7	132	95	104 / 111
8	160	112	130

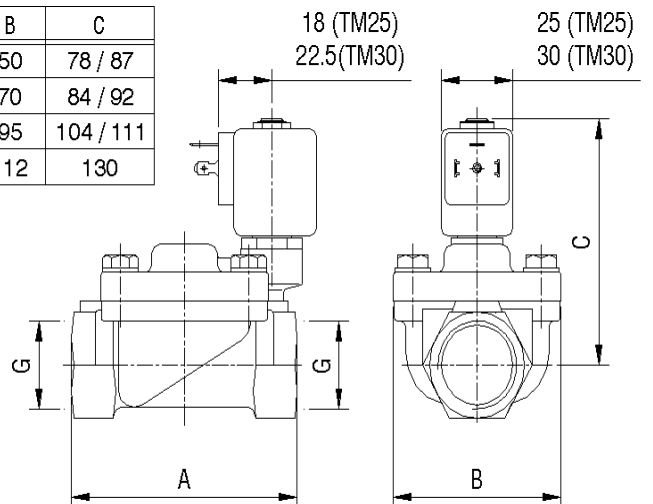


Fig. 5-8